



BZ-3RQ1-A2



Actual product appearance may vary.

BZ Series Standard Basic Switch, Single Pole Double Throw Circuitry, 15 A at 250 Vac, Overtravel Plunger Actuator, 3,89 N - 5,56 N [14 oz - 20 oz] Operating Force, Silver Contacts, Screw Termination, CE, CSA, DEMKO

Features

- Accepted world-wide standard "Large Basic" switch
- Low operating force and differential travel
- Long mechanical life up to 20,000,000 cycles at 95% survival
- Elongated mounting hole for easier, more accurate mounting
- Current rating ranges from 15 A to 25 A
- Choice of actuation, termination and operating characteristics

Potential Applications

- Irrigation systems
- Semi-trailer trucks
- Timing devices
- Office equipment
- Test instruments
- Medical/dental equipment
- HVAC equipment
- Manually operated devices
- Valves

Description

MICRO SWITCH™ BZ/BA Series standard basic switches are used for simple or precision on/off application needs.

Product Specifications

Switch Type	MICRO SWITCH™ Standard 25,4 mm H x 17,8 mm W x 50,8 mm L [1.0 in H x 0.7 in W x 2.0 in L]
Sealed	No
Ampere Rating	15 A
Circuitry	Single Pole Double Throw (SPDT)
Actuator	Overtravel Plunger
Termination	Screw
Operating Temperature Range	-55 °C to 85 °C [-67 °F to 185 °F]

Voltage	250 Vac
Approvals	DEMKO,CE,CSA,UL
Contact Type	Silver
Operating Force (O.F.)	3,89 N - 5,56 N [14.0 oz - 20.0 oz]
Release Force (R.F.)	1,11 N [4.0 oz] min.
Pretravel (P.T.)	0,51 mm [0.020 in] max.
Overtravel (O.T.)	5,56 mm [0.219 in] min.
Differential Travel (D.T.)	0,02 mm - 0,076 mm [0.0008 in - 0.0030 in]
Operating Position (O.P.)	21,82 mm \pm 0,76 mm [0.859 in \pm 0.030 in]
Material	Plastic
Housing Material	General Purpose Phenolic
High Temperature	204 °C [400 °F]
CE mark	61058-1
UL File #	E12252
CSA File #	LR41370
Agency Approvals and Standards	1054
Mounting Screw Size	3,53 mm [0.139 in]
Mounting Centers	25,4 mm [1 in]
Maximum Tightening Torque	0,33 N m [3.0 in lb]
Weight	39 g [0.086 lb]
Package Height	24,1 mm [0.95 in]
Package Width	17,5 mm [0.69 in]
Package Length	49,3 mm [1.94 in]
Recommended For	BZ-2RQ-A2 type applications with panel mount
Availability	Global
UNSPSC Code	30211905
UNSPSC Commodity	30211905 Snap switches
Series Name	BZ/BA/WA/YZ



MICRO SWITCH

FREEPORT, ILLINOIS, U.S.A.
A DIVISION OF HONEYWELL

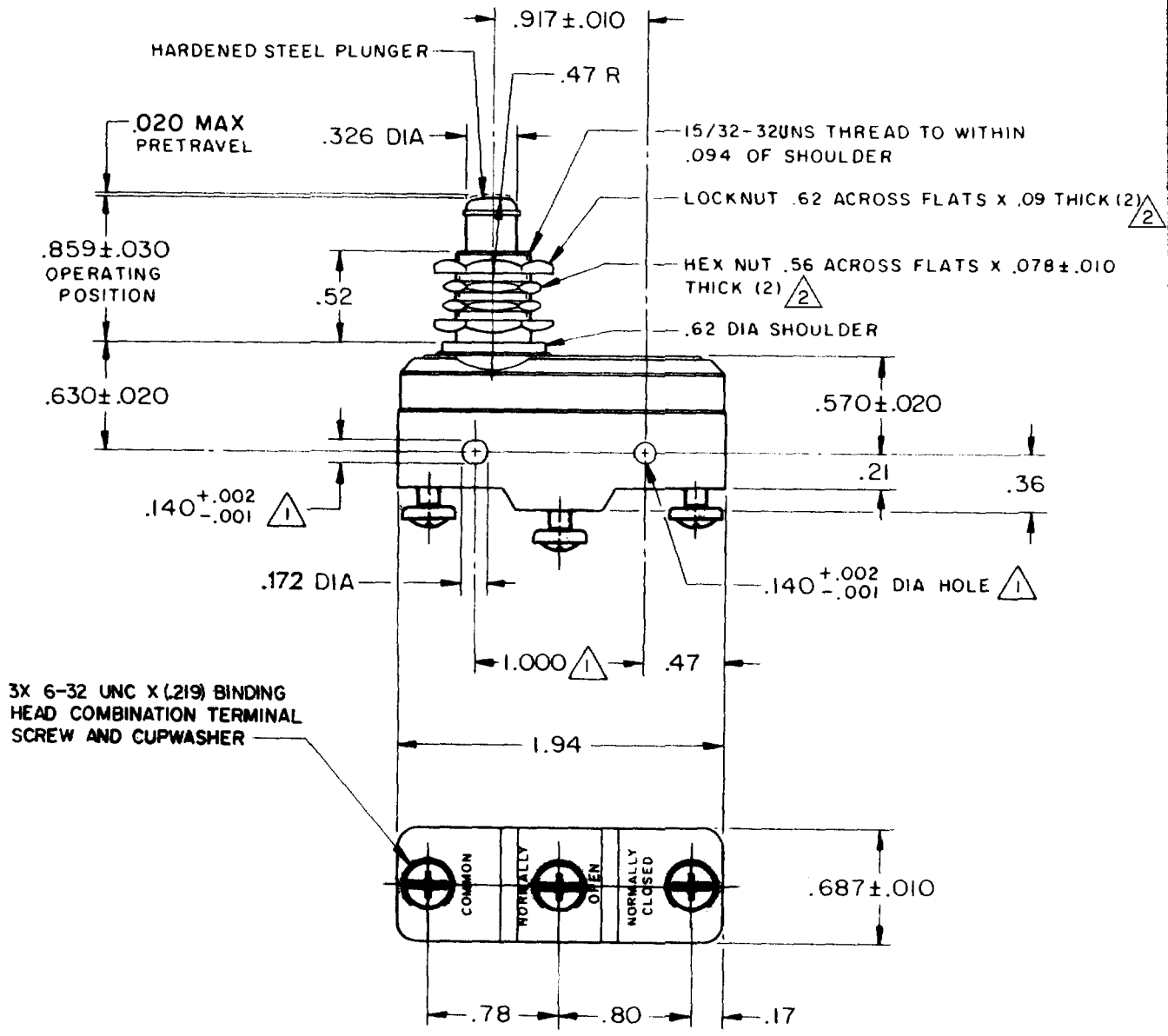
FED. MFG. CODE 91829

SWITCH - BASIC

CATALOG LISTING
BZ-3RQ1-A2

ALQ2500

BZ-3RQ1-A2
 PAGE 1 OF 1
 DRAWING NUMBER
 8
 ISSUE
 REVISIONS
 A C017410
 B C H
 22 MAY 63
 B CO-
 73287-B
 D H D
 19 MAY 93
 C CO-
 77589
 K D R
 29 MAR 94
 D CO-82133
 CSL
 25 JUL 96
 E C093346
 D L T
 11 SEP 98
 F 0015139
 TSG
 23 AUG 05
 L.S.D. 15 JUNE 63
 CHECK
 23 AUG 05
 CHECK
 25 JUL 96
 CHECK
 11 SEP 98
 CHECK
 23 AUG 05
 CHECK
 22 MAY 63
 DRAWN
 G C H
 FORMTEK
 FO-50376



- NOTES
- (1) MOUNTING HOLES WILL ACCEPT PINS OR SCREWS OF .139 MAX DIA ON 1.000 ± .002 CENTERS
 - (2) HARDWARE FURNISHED UNASSEMBLED

THIS DRAWING COVERS A PROPRIETARY ITEM AND IS THE PROPERTY OF MICRO SWITCH, A DIVISION OF MINNEAPOLIS-HONEYWELL REGULATOR CO. THIS DRAWING IS NOT TO BE COPIED OR USED WITHOUT THE APPROVAL OF MICRO SWITCH.

CHARACTERISTICS	ELECTRICAL DATA	SCALE FULL
OPERATING FORCE ----- 14 - 20 OZ	CONTACT ARRANGEMENT S P D T	DO NOT SCALE PRINT
RELEASE FORCE ----- 4 OZ MIN	-L96- 15 A-125, 250, OR 480 VAC 1/2 A-125 VDC, 1/4 A-250 VDC 1/8 HP-125 VAC, 1/4 HP-250 VAC CE EN05 EC T85 5E4	UNLESS OTHERWISE NOTED
DIFFERENTIAL TRAVEL ----- .0008-.0030		DIMENSIONS ARE IN INCHES TOLERANCES ARE: ONE PLACE (.0) ±.030 TWO PLACE (.001) ±.015 THREE PLACE (.000) ±.005 ANGLES ±
OVERTRAVEL ----- .219 MIN		WEIGHT .094 LB